

Floating member

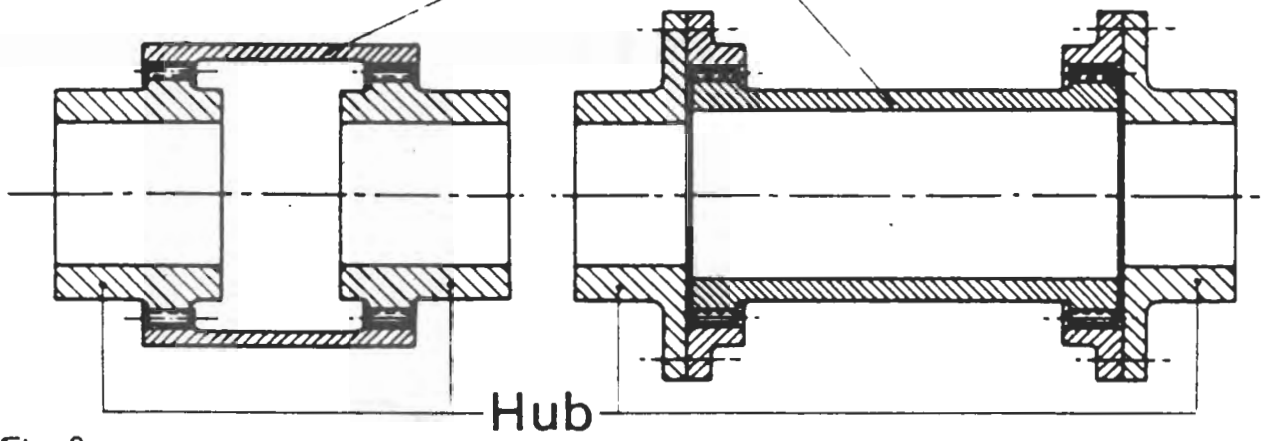


Fig. 2

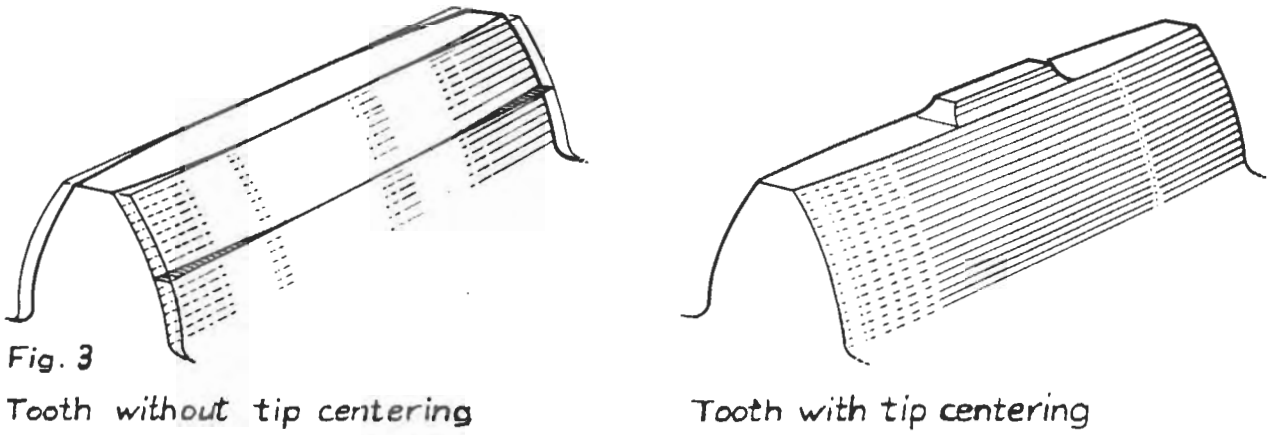


Fig. 3

Tooth without tip centering

Tooth with tip centering

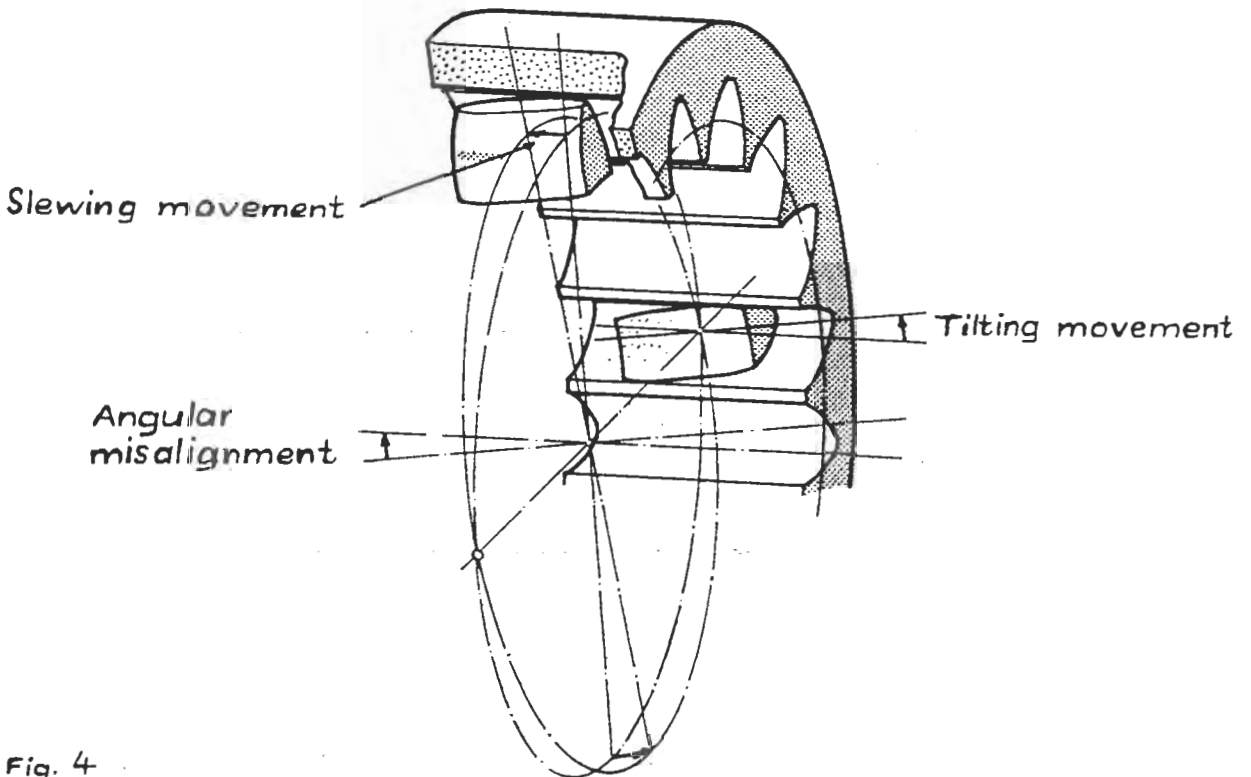
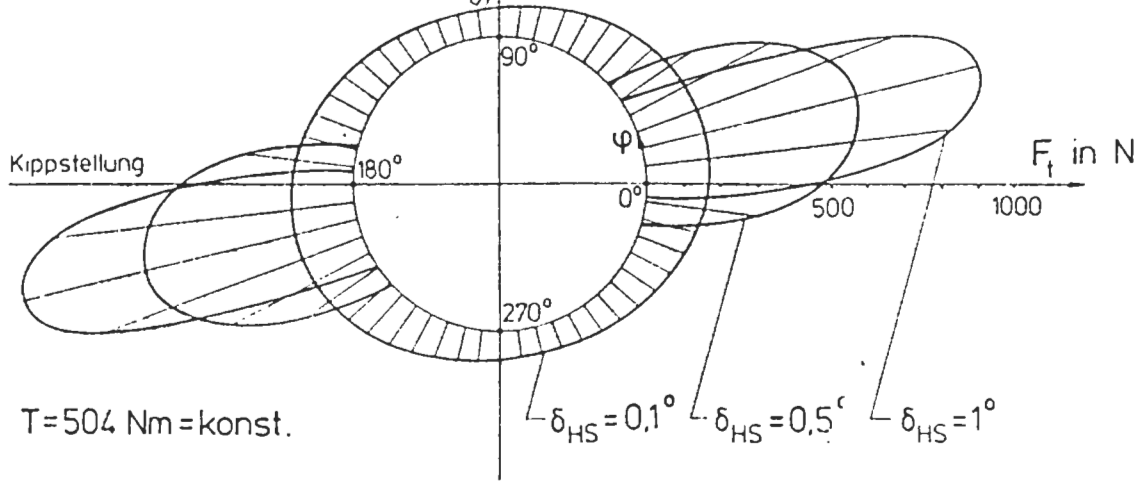


Fig. 4

Schwenkstellung



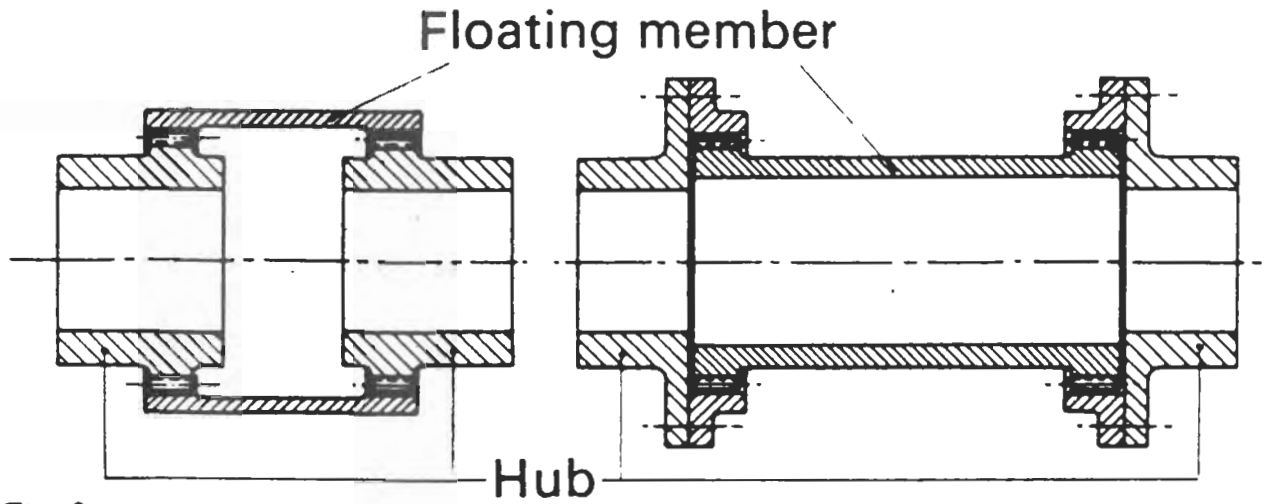


Fig. 2

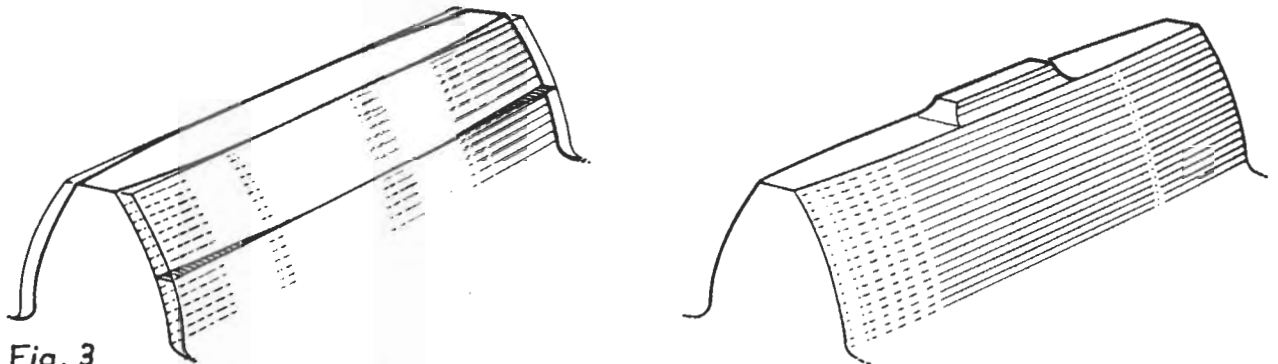


Fig. 3

Tooth without tip centering

Tooth with tip centering

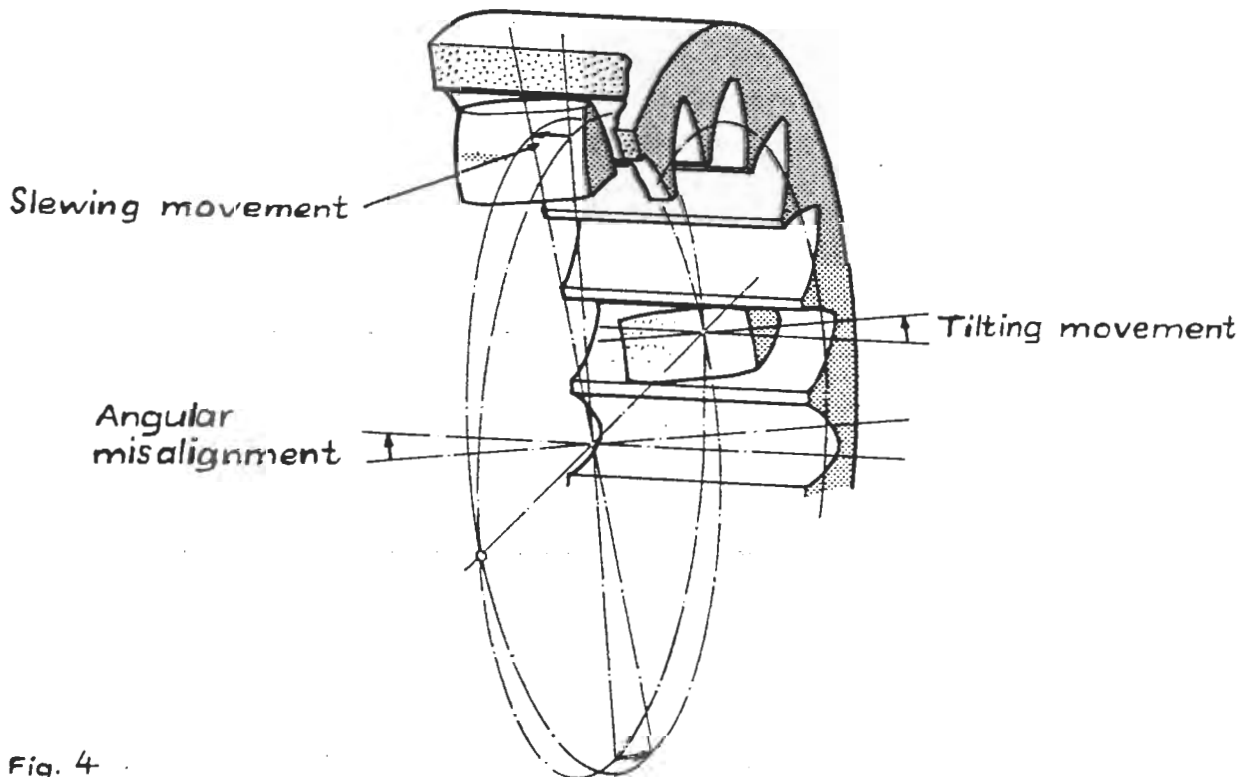


Fig. 4

